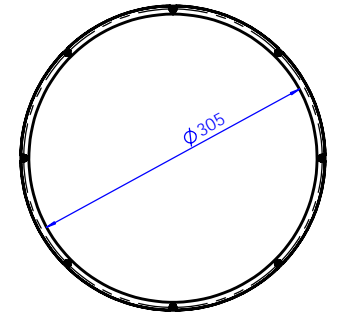
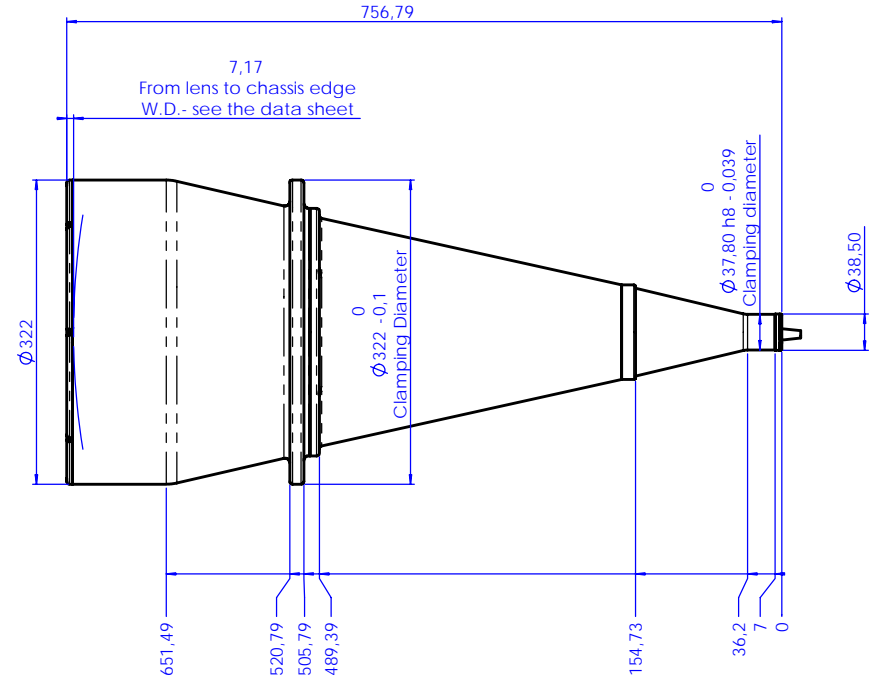
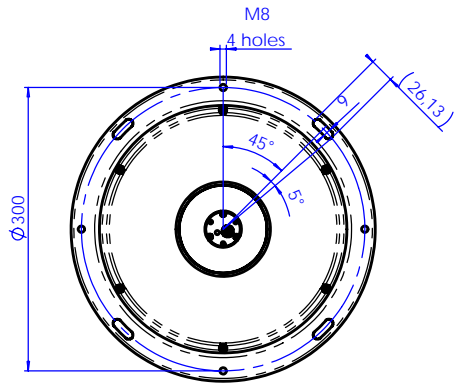


Rev No.	Description	Date	Name
A	First light	06/02/07	A.Vismara
B	New LED holder	10/05/08	A.Vismara



Material	N.A.	Mass	19.5 kg	Scale	1:4
Surface treatment	N.A.	Project-Prod.Item/Instrument	LT CL 240		
Geometrical tolerance (ISO 2768-2)		Class	K	Undimensioned Bevels	1x45°
Linear tolerance (ISO 2768-2)		Class	m	Undimensioned radii	R 0.5
0.5	>3-	>6-	>30-	>120	>400-
-3	A	B	30	120	400
+0.1	+0.1	+0.2	+0.3	+0.5	+0.8
					+1.2
Date		Name		Drawing No.	
Designed 10/05/08		A.Vismara		01284-0-B	
Draw 10/05/08		A.Vismara		Sheet	
Checked x		C.Sedazzari		1/1	
www.opto-engineering.com					
OPTO ENGINEERING S.r.l. - 46100 Mantova Italy - Via Cremona, 29/2 - Tel. +39 0376 263525 - e-mail: info@opto-engineering.com - http://www.opto-engineering.com					

